



Ottawa 4x2 Off Road Standard Specifications

4X2 YARD TRACTOR

STANDARD FEATURES

- Cummins Tier 4I QSB6.7-165 HP @2200 RPM, 540-lb/ft torque @1500 RPM Electronic-CAC with primary fuel filter/water separator, grid heater
- Allison 3000RDS Transmission (6 speed) with synthetic transmission fluid
- Front Axle: Meritor FF-961, 12,000 lb
- Rear Axle: Meritor RS-24-160, 7.17:1 ratio, solid mount to frame
- 116" Wheelbase with "L" frame reinforcement
- Fifth wheel: Holland FW-35, 70,000 lb plate rating
- Fifth wheel lift cylinders: 5" diameter 60,000 lb rating
- Tires 11R22.5 Steel belted radials 14PR
- Wheels 22.5" X 8.25" 10 bolt 285 mm BC hub piloted, steel disc
- Vertical exhaust system with heat shield
- Air cleaner with replaceable element, pre-cleaner and underhood restriction indicator
- Back-up light, stop and turn signals
- Step - battery box 16" wide
- Cab side vent (riveted)
- Drive shaft Spicer 1710 series
- Approximate Vehicle Weight 14,500 lb
- GCWR 81,000 Lbs
- Maximum Road Speed 25 MPH / 40.2 KPH
- MaxiMizer fuel reduction system

TRAILER EQUIPMENT

- Two (2) color coded, coiled air lines with glad hand receivers, 7 wire female receptacle at rear of cab

STEERING

- Gearbox type integral power steering with mechanical back up
- Constant running PTO/pump with priority steering circuit

CAB FEATURES

- Cab air ride, 3-point mount suspension
- Cab with raised roof: 50" X 65" X 68" welded steel and driver's side door which has a full length piano hinge and an aluminum sliding rear door
- Cab insulation, for thermal protection and noise abatement
- Cab tilt: Electric 45° with 90° tilt capability
- Platform, rear of cab
- Air Ride Seat with isolator
- Seat belt with 2-point mount
- Tinted glass all windows
- Solar gray laminated glass behind driver
- 40,000 BTU fresh air heater/defroster
- West coast 16" X 7" mirrors

Cab gauges:

Volt meter, oil pressure, water temperature, fuel level, air pressure, speedometer and 5-digit hour-meter

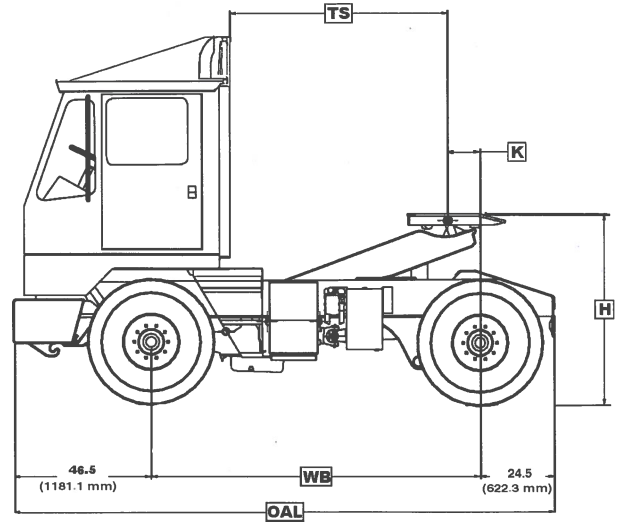
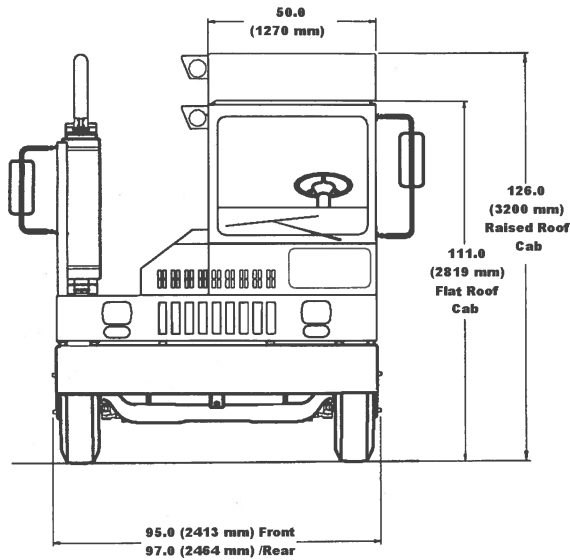
Cab controls:

Accelerator, tractor/trailer brakes, gear selector, fifth wheel elevation, steering wheel 18" soft touch, headlights, electric horn, heater defroster and electric windshield wiper control, directional turn signals, rear flood light upper right hand side, 5th wheel unlatch

WARNING DEVICES

- Low air pressure light and alarm
- Transmission protection warning light
- Headlight hi-beam indicator
- Electric backup alarm
- Engine Protection Warning System
 - High coolant temp
 - Low oil pressure
 - Low coolant level

Ottawa 4x2 Off Road



		BOOM POSITION STANDARD LIFT	
WB	DIM	UP	DOWN
116" (2794 mm)	TS	79.4 (2017 mm)	83.5 (2121 mm)
	K	10.2 (259 mm)	6.1 (155 mm)
	H	63 (1600 mm)	46 (1168 mm)
	OAL	187 (4750 mm)	

HYDRAULIC SYSTEM

- 16 gallon tank with sight glass
- 10 GPM pump
- 5" hydraulic lift cylinders
- Hydraulic system with "O" Ring fittings
- 5th Wheel Boom lift 17"
- Wet Spline PTO

BRAKES

- Front: "S" Cam type 16.5" X 5" air actuated
- Rear "S" Cam type 16.5" x 7" air actuated
- Automatic slack adjusters front and rear

FRAME FEATURES

- Welded 50,000 psi steel with 12" x 3 3/8" X 3/8" formed channel 43.25" wide frame with "L" frame reinforcement (1,835,000 in/lb RBM)
- 55° tapered deck curbside with reinforced removable bumper
- 50-gallon frame mounted round fuel tank, curbside
- Integral front and rear tow eyes

PNEUMATIC SYSTEM

- 18.7 CFM Wabco compressor with 2-tank air reservoir system total capacity 3582 cu. in.
- Color-coded air lines

ELECTRICAL SYSTEM

- 12 Volt neg. ground with circuit breakers, 130-amp minimum charge alternator, color coded wiring in separate removable harness, 12-volt starter with positive engagement, two (2) 12-volt low maintenance batteries, cab dome light

PAINT FINISH

- Cab: Full immersion, multi-stage, "E" coat primer. Baked on acrylic top coat - white PPG - SAC71166A
- Chassis: Shot blasted, phosphate washed, powder coat primer with polyurethane top coat - black
- Wheels: "E" coat white
- Rubberized undercoating under cab and deck
- Grab handles, steps and platforms painted safety yellow